

VALUE LINE STANDS SL22F2LED & SL44F2LED

ASSEMBLY INSTRUCTIONS

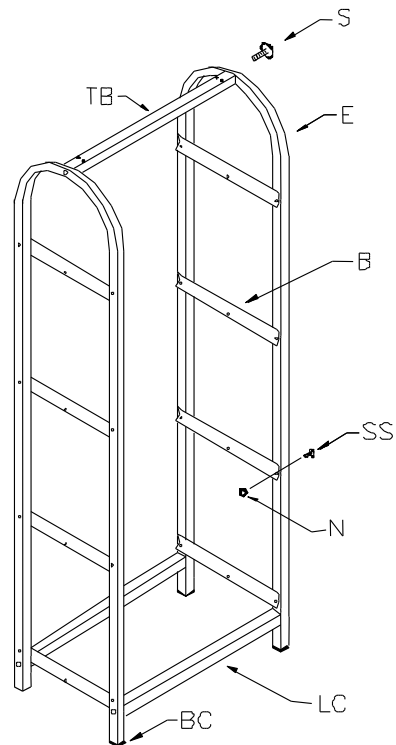
CODE	STAND PARTS	SL22F2	SL44F2
TB	Top Bracket	1	1
E	End Frame	2	2
B	Brackets	4	8
T	Trays	2	4
LC	Long Crossmember	2	2
BAG KIT			
SS	Small Screw	8	16
S	Screw (Long)	6	6
BC	Black Caps	4	4
GC	Ground Cord	1	1
N	Small Nut	8	16
C	Chain	4	8
SH	S-Hook	8	16



1. Insert black caps **BC** into bottom of end frames **E**.
2. Using the small screws **SS** and nuts **N** assemble the brackets **B** (making sure that all the notches are to the top of the stand) to the end frames **E**. Do not tighten the nuts. Attach brackets **B** starting at the top of each end frame **E**.
3. Using the long screws **S** assemble the two long crossmembers **LC** and the top bracket **TB** to the end frames **E**. Be sure the small holes are facing up on the top bracket **TB**.
4. Tighten all the nuts. Place the trays on the brackets **B**, firmly push down to secure the trays to the stand.

To Prevent Electrical Shock: Connect the eyelet of the enclosed ground cord to any bolt head. The other end should be connected to a ground point such as a water pipe or center screw of a grounded outlet. Please disconnect fixtures when watering plants.

PART	
LC	Long Cross Member
N	Small Nut
S	Long Screw
SS	Small Screw
BC	Black Cap
TB	Top Bracket
B	Bracket



Instructions for hanging fixtures

1. Place S-Hooks in key holes on both ends of the light fixture. Place chains on S-Hooks (Figure B).
2. Place S-Hooks on the other end of each chain and secure in hole on bracket above.
3. Plug power cord into outlet.
4. Attach cable tie (enclosed in the fixture box) to hanging chain (Figure C). This enables fixture to hang evenly.

Figure B

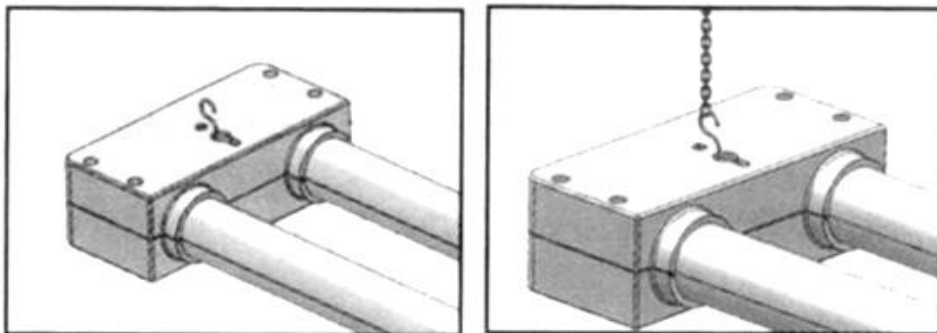


Figure C

