

VALUE LINE STANDS SL22F2LED & SL44F2LED

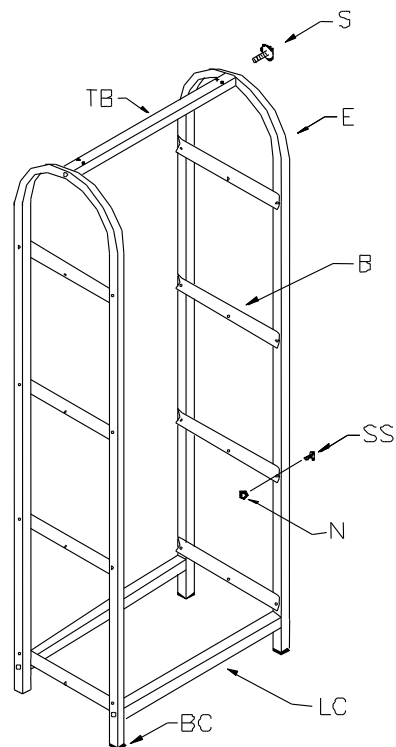
ASSEMBLY INSTRUCTIONS

CODE	STAND PARTS	SL22F2	SL44F2
TB	Top Bracket	1	1
E	End Frame	2	2
B	Brackets	4	8
T	Trays	2	4
LC	Long Crossmember	2	2
BAG KIT			
SS	Small Screw	8	16
S	Screw (Long)	6	6
BC	Black Caps	4	4
GC	Ground Cord	1	1
N	Small Nut	8	16
C	Chain	4	8
SH	S-Hook	8	16



1. USING THE SMALL SCREWS **SS** AND NUTS **N** ASSEMBLE THE BRACKETS **B** (MAKING SURE THAT ALL THE NOTCHES ARE TO THE TOP OF THE STAND) TO THE END FRAMES **E**. DO NOT TIGHTEN THE NUTS. FOR BEST RESULTS START AT TOP OF ENDFRAME **E** AND WORK YOUR WAY DOWN.
2. REPEAT PROCEDURE IN STEP 1 ON OTHER ENDFRAME **E**.
3. USING THE LONG SCREWS **S** ASSEMBLE THE 2 LONG CROSSMEMBERS **LC** AND THE TOP BRACKET **TB** TO THE ENDFRAMES **E**. (BE SURE THE SMALL HOLES ARE FACING UP ON THE TOP BRACKET **TB**).
4. TIGHTEN ALL THE NUTS. PLACE THE TRAYS ON THE BRACKETS **B**, FIRMLY PUSH DOWN TO SECURE THE TRAYS **T** TO THE STAND.

PART	
LC	Long Cross Member
N	Small Nut
S	Long Screw
SS	Small Screw
BC	Black Cap
TB	Top Bracket
B	Bracket



Instructions for hanging fixtures

1. Use S-hook in key hole of end cap. Place chain on S-hook (Figure B)
2. Place S-hook on other end of chain and secure in hole on bracket above.
3. Plug power cord into outlet.
4. Attach cable tie (enclosed in the fixture box) to hanging chain (Figure C). This enables fixture to hang evenly.

Figure B

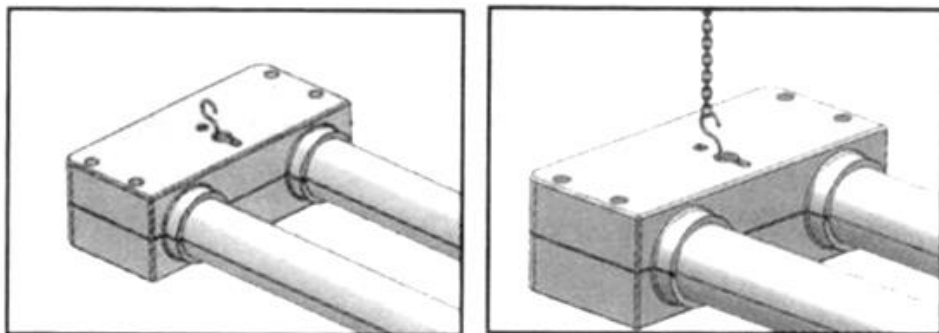


Figure C

