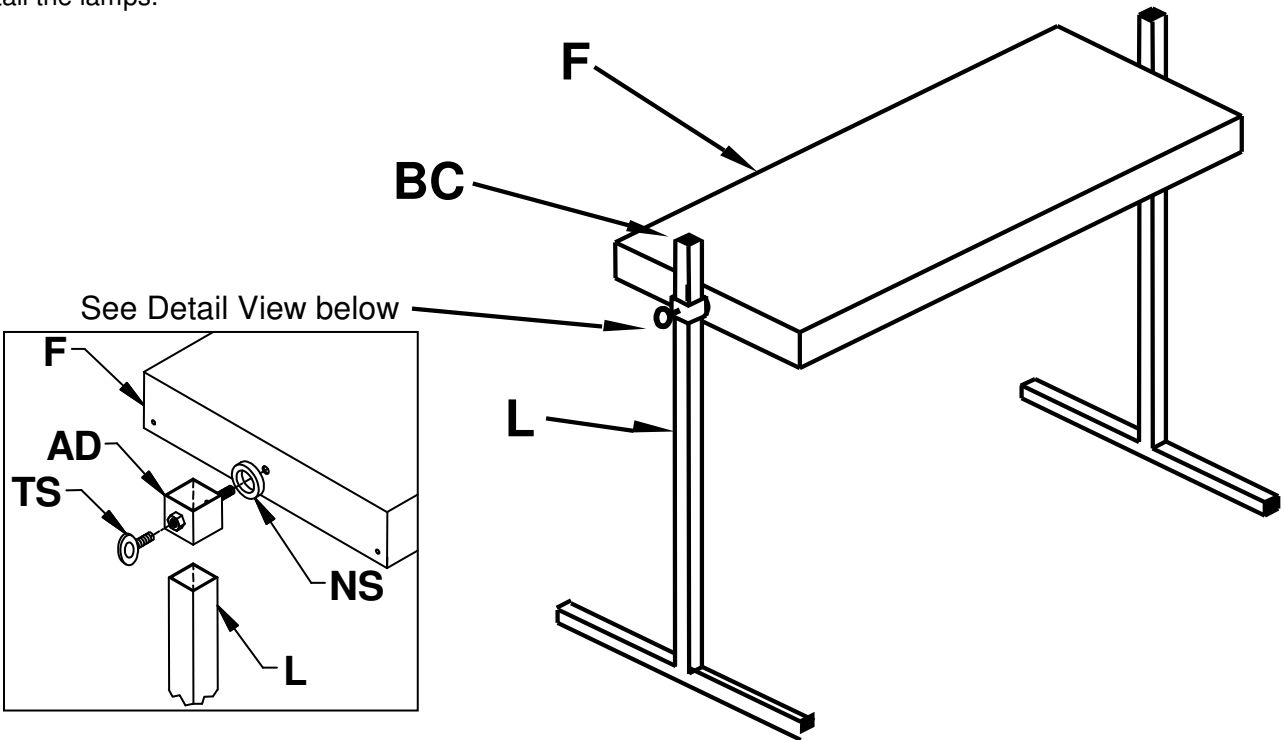


## TABLE TOP 220-240 LIGHT

CODE	PART	QTY
<b>F</b>	Fixture w/lamps	1
<b>L</b>	Legs	2

KIT PARTS		
<b>AD</b>	Adapter	2
<b>NS</b>	Nylon Spacer	2
<b>TS</b>	Thumb Screw	2
<b>B</b>	Black caps	6

1. Insert the black caps **B** in the ends of the legs **L**.
2. Place a nylon spacer **NS** on threaded stud of an adapter **AD**.
3. Screw the adapter threaded stud into the threaded hole on the end of the fixture **F**, until snug. **Do not loosen the adaptor to line it up.** Insert the leg **L**, to use as a lever, and tighten the adapter, **up to 1/2 turn**, to align as shown.
4. Repeat steps 2 & 3 on other end of fixture **F**.
5. Insert long end of leg **L** thru adapter **AD** from bottom side of fixture **F**.
6. Screw thumb screw **TS** into threaded nut of adapter **AD**. Adjust leg to desired height and tighten thumb screw **TS**.
7. Repeat steps 5 & 6 on other end.
8. Install the lamps.



**TO PREVENT ELECTRICAL SHOCK: DISCONNECT ALL ELECTRICITY BEFORE WATERING YOUR PLANTS.**