

NATIONAL GARDENING ASSOCIATION'S

# GrowLab<sup>®</sup>

## SlimLine 2-Tier Indoor Garden

#10-1116

and

## Economy SlimLine 2-Tier Indoor Garden

#10-1107



**National Gardening Association**

***Gardening With Kids Catalog***

**1100 Dorset Street, South Burlington, Vermont 05403**

**Phone: 800-538-7476 • Fax: 802-864-6889**

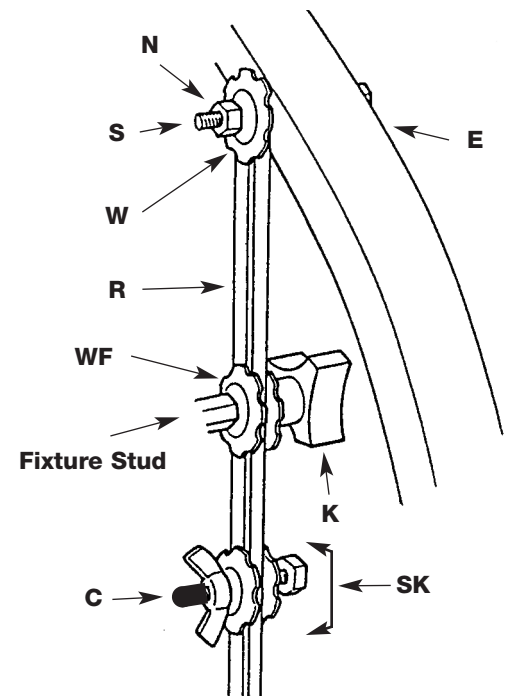
**Web: [www.kidsgardening.org](http://www.kidsgardening.org) • E-mail: [sales@kidsgardening.com](mailto:sales@kidsgardening.com)**

**Congratulations** on your purchase of a new GrowLab® Indoor Light Garden! This unit is easily assembled by two people using a flat-head screwdriver and an adjustable wrench. Before discarding any packing materials, be sure to check for stray parts or pieces.

## Parts List

Code	Description	Quantity
<b>Frame &amp; Accessories</b>		
SE	Short End Support	4
E	U-shaped End Frame	2
L	Long Shelf Support	4
R	Slide Rod	2
P	Plant Tray	4
GT	Grounded Timer	1
10-4009	<i>GrowLab®: A Complete Guide to Gardening in the Classroom</i> book	1
<b>Hardware</b>		
BC	Black End Cap	4
C	Screw Cover	10
N	Nut	6
S	Machine Screw	22
W	Domed Washer	6
<b>Light Fixture</b>		
F	Fixture with Fluorescent Tubes	2
WF	Domed Washer (Located on Fixture)	8
K	Knob (Located on Fixture)	4
SK	Stop Kit, Set of 2 (Packaged with fixture)	2
<b>Optional Items*</b>		
CT	*Climate Control Tent (included with #10-1116 only)	1
MG	*Moisture Grid (included with #10-1116 only)	1

**Inset: Detail showing slide rod, fixture stud, and stop kit assembly.**



\*These items are available separately if not included with the GrowLab model you purchased. Call us at 800-538-7476 for information.

## Assembly

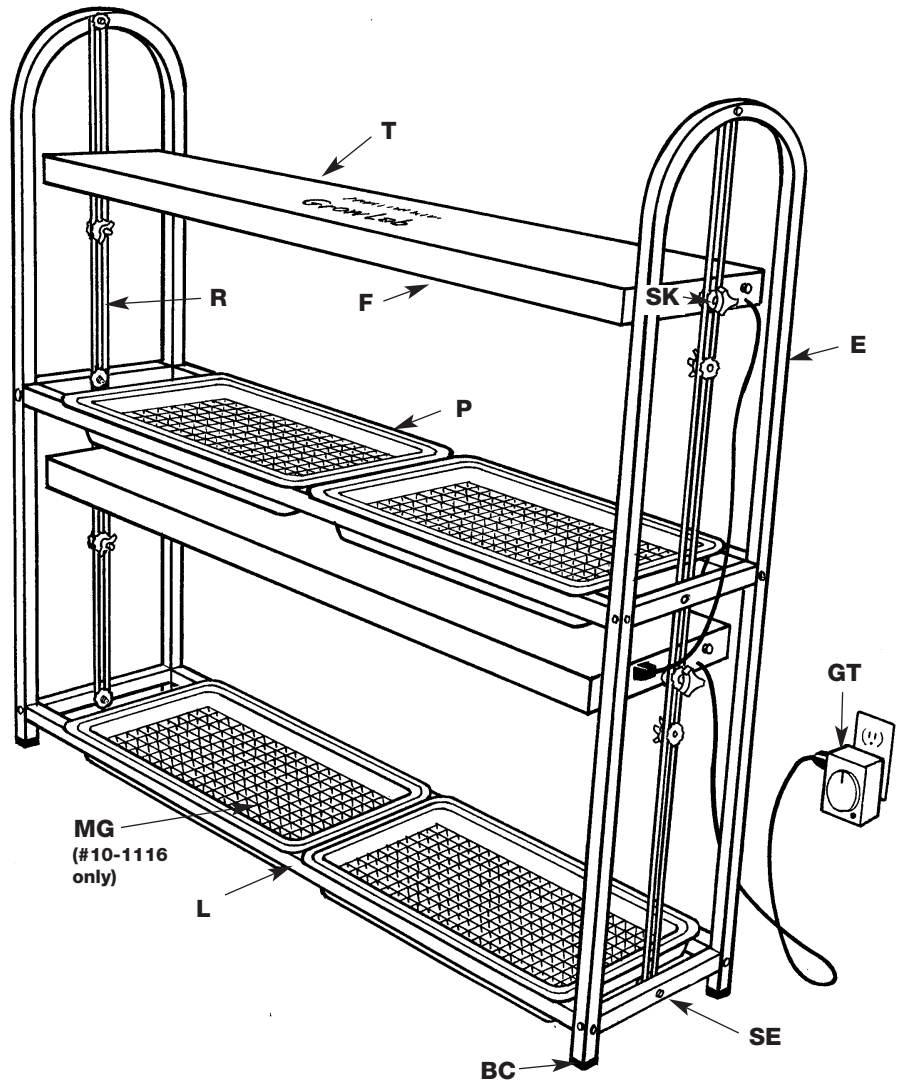
### Frame

- Short End Supports.** Attach short end supports (SE) to the open end and middle of the U shaped end frames (E) using machine screws (S). Make sure the holes in the short supports are all oriented outside to inside--not up and down.
- Slide Rods 1.** Insert a machine screw through the hole at the top of each U-shaped end frame. Place a slide rod (R) over each screw and secure to the frame by placing a domed washer (W) on each machine screw with the indented side of the washer facing the slide rod. Screw on a nut (N), and tighten. Place a screw cover (C) on the end of each machine screw.
- Slide Rods 2.** Place a machine screw through the hole on each short end support and through the middle of each slide rod. Secure each slide rod by placing a domed washer (W) on each machine screw with the indented side of the domed washer facing the slide rod. Screw on a nut and tighten. Place a screw cover (C) on the end of each machine screw.
- Black End Caps.** Push a black end cap (BC) firmly into the opening at the bottom of each U shaped end frame.
- Long Shelf Supports.** Position the assembled U-shaped end frames parallel to each other with the slide rods facing in. Connect them together by placing machine screws through the remaining holes in each U-shaped end frame and into the ends of each long shelf support (L) and top support (T). Tighten connections with a screwdriver.

## Fixture Installation

### GrowLab® SlimLine 2-Tier Indoor Garden Model #10-1116 and #10-1107

1. **Tubes.** Install tubes according to instructions supplied with fixtures. Be careful not to bend pins on tubes.
2. **Plant Trays.** Place plant trays (P) on the shelves of the GrowLab® to provide support for installing the fixtures. Place a moisture grid (if included) inside each plant tray.
3. **Fixtures, Placing.** Remove knob (K) and one domed washer (WF) from each fixture end. Position remaining domed washer on each end so indented side faces slide rod. (See inset, page 2.) Rest the fixture on trays, and slide ends of fixture studs through center of slide rods.
4. **Fixtures, Securing.** Add a domed washer to one fixture stud with the indented side of the domed washer facing the slide rod, then place a knob (K) on the fixture stud. Tighten knob **FIRMLY**, but do not over-tighten. Repeat this step on the other end of the fixture.



5. **Fixtures, Adjusting.** Adjust fixture to desired height, and tighten knobs securely. (**Important** — adjusting fixture more than 6" per side at once may damage the fixture.)
6. **Stop Kits.** Attach a stop kit (SK) to the slide rod below each fixture stud. (See inset, page 2.) Tighten securely with a wingnut (packaged with stop kit). Place a screw cover on the end of each machine screw. **HINT:** When placing domed washers on machine screw on either side of slide rod, make sure the indented sides of the domed washers face the slide rod for maximum grip.

## Timer and Climate Control Tent

1. **Timer, Installation.** Plug the grounded three-prong plug from the top light fixture into the receptacle on the bottom fixture. Place the plug from the bottom fixture into the timer. Plug the timer into a grounded electrical outlet. Follow instructions on timer for use.
2. **Climate Control Tent (if included).** Unfold the climate control tent. To prevent tearing, make sure the tent is at room temperature before pulling it over the top and sides of the GrowLab®. Align the seams on the tent with the U-shaped end frames on the GrowLab®, and position the tent so the open end faces the front of the GrowLab®.

## Maintaining Your GrowLab®

- Place your GrowLab® on a level surface, out of drafts, where it is protected from jostling.
- Make sure that screws are tightened firmly and cords are securely plugged in at all times.
- USE EXTRA CARE when adjusting the light fixtures. We recommend that students adjust the light fixtures with teacher supervision. Tighten knobs securely after adjustment to prevent slipping. **NOTE:** Adjusting a fixture more than 6" per side at one time may damage the fixture.
- Each GrowLab® fixture includes two GRO-LUX 40 Watt Wide Spectrum Tubes. Though actual life may vary, the tubes should last for two to three school years.
- When the GrowLab® is empty between growing projects, wash and disinfect all trays and moisture grids (if included) with a 10% bleach solution, and wipe down the climate control tent (if included). This will help insure a healthy environment for the next growing project.

## Horticultural Tips

- Use professional seed starting mix (not potting or garden soil) for starting seeds and transplanting seedlings. This mix is available from National Gardening Association or home and garden supply centers.
- Control light duration by using the timer. Most plants thrive with 14 to 16 hours of "daylight" per day.
- When watering your plants, fill each tray no higher than the top of the moisture grid (if included). Plants grown in pots in the GrowLab® may eventually stretch their roots into the water. The moisture grids provide additional humidity within the GrowLab® and allow for more even watering of plants.
- Adjust the light fixture and stop kits as the plants grow, placing stops 2" - 4" below the fixture. Keep lights 2" - 4" above the plants for best growth. For maximum light exposure, rotate plants within trays as they grow.
- Use the horticultural guide included with your GrowLab®, *GrowLab®: A Complete Guide to Gardening in the Classroom*, for more tips on cultivating a successful indoor garden.

## National Gardening Association Resources

### Kidsgardening Web Site: [www.kidsgardening.org](http://www.kidsgardening.org)

NGA's Kidsgardening Web site is an interactive hub where teachers, parents, and others who garden with kids find inspiration, advice, and opportunities for exchange. It features an extensive article library of classroom stories and activities; monthly thematic features; youth gardening grants and awards, plant-based curricula, and free e-newsletters; online plant science courses for K-8 educators; a national School Garden Registry; the Gardening with Kids store; and more. Visitors may participate in NGA's Adopt a School Garden™ program or become NGA Supporters, earning discounts at our online stores.

### Gardening with Kids Catalog

NGA's catalog offers educational materials that use plants and gardens as living laboratories and engage kids in active learning. Products include indoor and outdoor gardening equipment, GrowLab® accessories and replacement parts, greenhouses, plant-based curricula, horticultural information, thematic resources, and general items sized for young gardeners or designed to solve gardening challenges. View the complete catalog online at [www.kidsgardening.org](http://www.kidsgardening.org), or request a copy by contacting us at: *Gardening with Kids* Catalog, National Gardening Association, 1100 Dorset Street, South Burlington, VT 05403; phone: 800-538-7476; fax: 802-864-6889; e-mail: [sales@kidsgardening.com](mailto:sales@kidsgardening.com).