

# SEEDLING CART ASSEMBLY INSTRUCTIONS

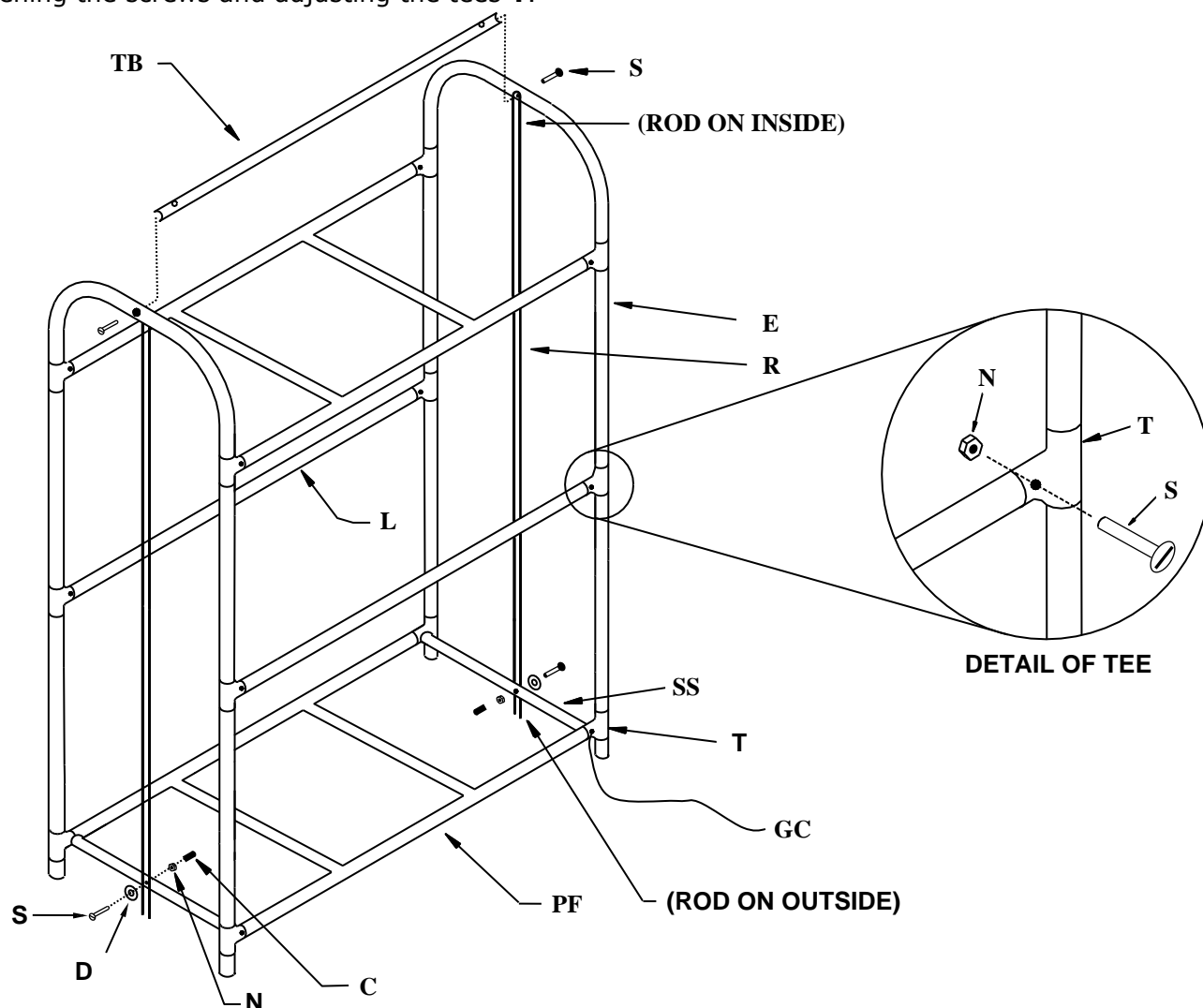
CODE	STAND PARTS	GA3	GA4
<b>R</b>	Slide rod	2	2
<b>TB</b>	Top bracket	1	1
<b>E</b>	End frame	2	2
<b>P</b>	Plant tray	12	16
<b>SS</b>	Short spacer	2	2
<b>T</b>	Tee	12	16
<b>L</b>	Long piece	2	4
<b>PF</b>	Platform	2	2
<b>BAG KIT</b>			
<b>WI</b>	Wheel & insert	4	4
<b>S</b>	Screw	16	20
<b>N</b>	Nut	10	14
<b>DW</b>	Domed washer	2	2
<b>GC</b>	Ground cord	1	1
<b>C</b>	Screw cover	2	2
<b>SSKIT</b>	Short spacer screws	4	4



**NOTE:** Take long pieces **L** and place tees **T** on the ends and align the holes. Put a screw **S** through the holes and start a nut **N** on the screw **S**. This will be the **middle shelf/shelves**.

1. Place a tee **T** on the end of a platform **PF** and align the holes. Put a screw **S** through the holes, and start a nut **N** on the screw **S**. Repeat on other three ends. This will be the **top shelf**.
2. For the **bottom shelf**, place a tee **T** on the end of the remaining platform **PF** and align the holes. Put a screw **S** through the holes and start screw into the threads in the short spacer **SS**. The short spacer **SS** should be a tight fit between the platform **PF** ends, and the indented hole should be on the outside. Continue on the other three ends.
3. Place the wheel inserts into the bottom of the endframes **E**. The endframe ends should be distorted, tapping may be necessary.
4. Place the end frame **E** (with the indented hole on the **INSIDE**) through the tees **T** of the top shelf, then the middle, and finally the bottom shelf. Repeat with other end frame **E**
5. Position the top shelf as desired and tighten the screws **S**, (use a large flat head screwdriver). Place the remaining shelves where desired and tighten the screws **S**.
6. Insert a screw **S** into the top hole of the end frame **E**. With the head of the screw on the outside, hang slide rod **R** over the screw (on the **INSIDE** of the stand). Thread the screw into the top bracket.
7. Position the bottom of the slide rod **R** on the outside of the short spacer **SS**. Place a screw **S** through the hole on the short spacer **SS** (with the head of the screw on the **OUTSIDE**) and between the slide rod **R** ends. Put a domed washer **DW** on the screw **S** with the indented side towards the slide rod **R** ends. Install and tighten a nut **N**. Place a screw cover **C** on the end of the screw **S**. Repeat on the other end.

8. Insert the wheels firmly until locked in place. Place the plant trays **P** on the shelves. Level the shelves by loosening the screws and adjusting the tees **T**.



CODE	PART	CODE	PART
C	Screw cover	PF	Platform
DW	Domed washer	R	Slide rod
E	End frame	S	Screw
GC	Ground cord	SS	Short spacer
L	Long piece	T	Tee
N	Nut	TB	Top Bracket
P	Plant tray	WI	Wheel, & Insert

**To Prevent Electrical Shock: Connect the eyelet of the enclosed ground cord to any bolt head. The other end should be connected to a ground point such as a water pipe or center screw of a grounded outlet. Please disconnect fixtures when watering plants.**