

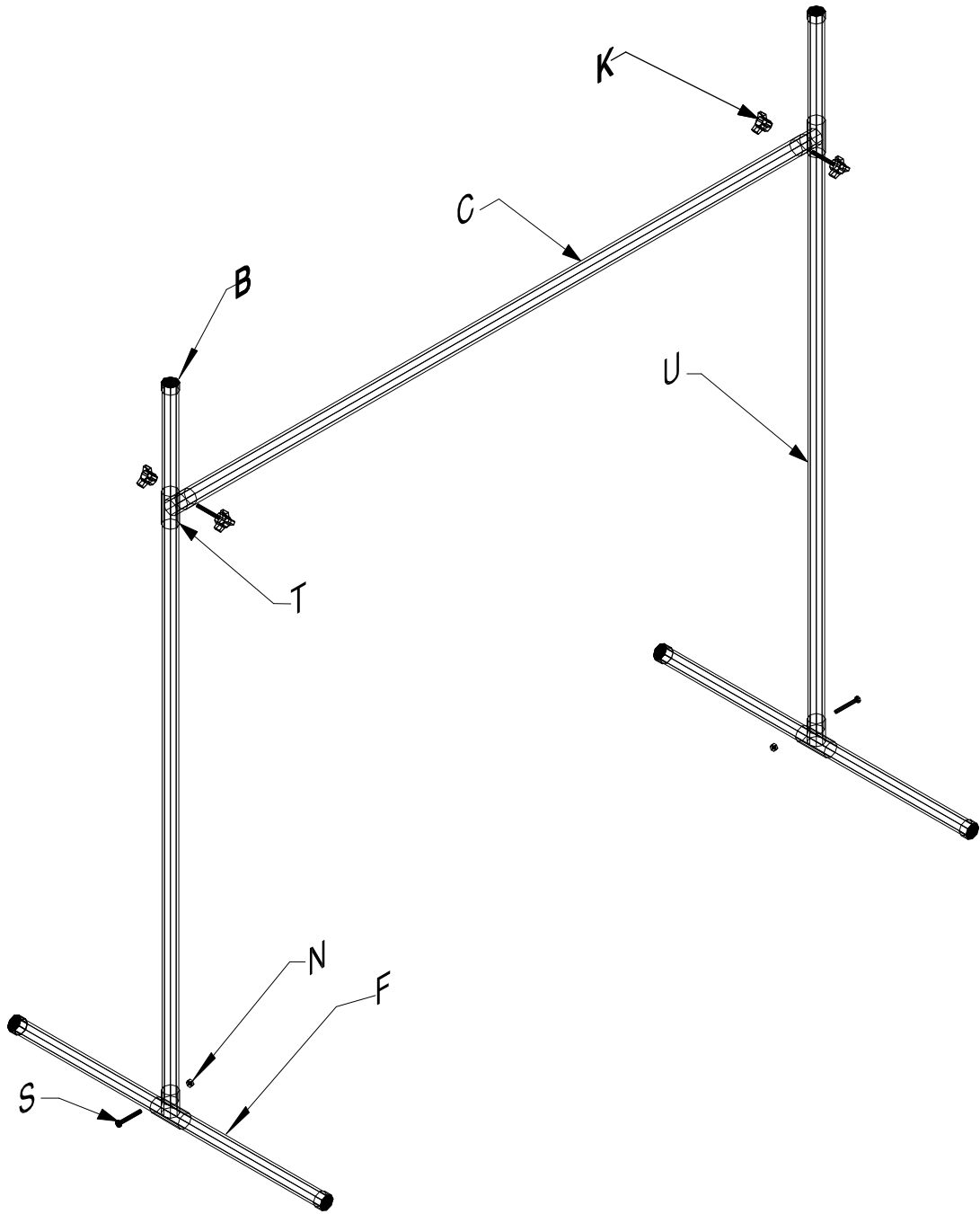
FS53 & FS70 FIXTURE STAND

ASSEMBLY INSTRUCTIONS

CODE	PART	QTY
	STAND PARTS	
U	Uprights - Long Aluminum Piece W/Hole on each end. Length: 66"	2
C	Cross Piece - Long 66" (FS70) or Medium 49" (FS53) Aluminum W/Hole on each end	1
F	Feet - Short Aluminum Piece. Length: 33"	2
T	Tees	4
	BAG KIT	
S	Screws	2
N	Nuts	2
K	Knobs (2 with studs, 2 with threaded holes)	4
B	Round Black Caps	6

1. Take a tee **T** and slide it on a foot **F** to the middle of the piece.
2. Place the end of the upright **U** in the tee and align the holes. Put a screw **S** through the holes and a nut **N** on the other end. Tighten firmly with a screwdriver.
3. Repeat steps #1 and #2 for the other foot and upright.
4. Take the remaining tees **T** and place them on the cross piece **C** and align the holes. Place the knob **K**, with the stud, through the hole in the tee **T** and put a knob **K**, with the threads, on the other end. Do not tighten the knob.
5. Slide the crosspiece with the tees down the uprights.
6. Position the cross piece where desired and tighten the knobs.
7. Place the black caps **B** on the ends of feet **F** and the top of the uprights **U**.

Recheck knobs, they **MUST BE TIGHT**. Loaded unit should not sway.



CODE	PART
U	Uprights - Long Aluminum Piece W/Hole on each end
C	Cross Pieces - Long Aluminum W/Holes on each end
F	Feet - Short Aluminum Piece
N	Nuts
S	Screws
T	Tees
K	Knobs
B	Black Caps