

# COMPACT LITE CART

## G11, G22 & G24

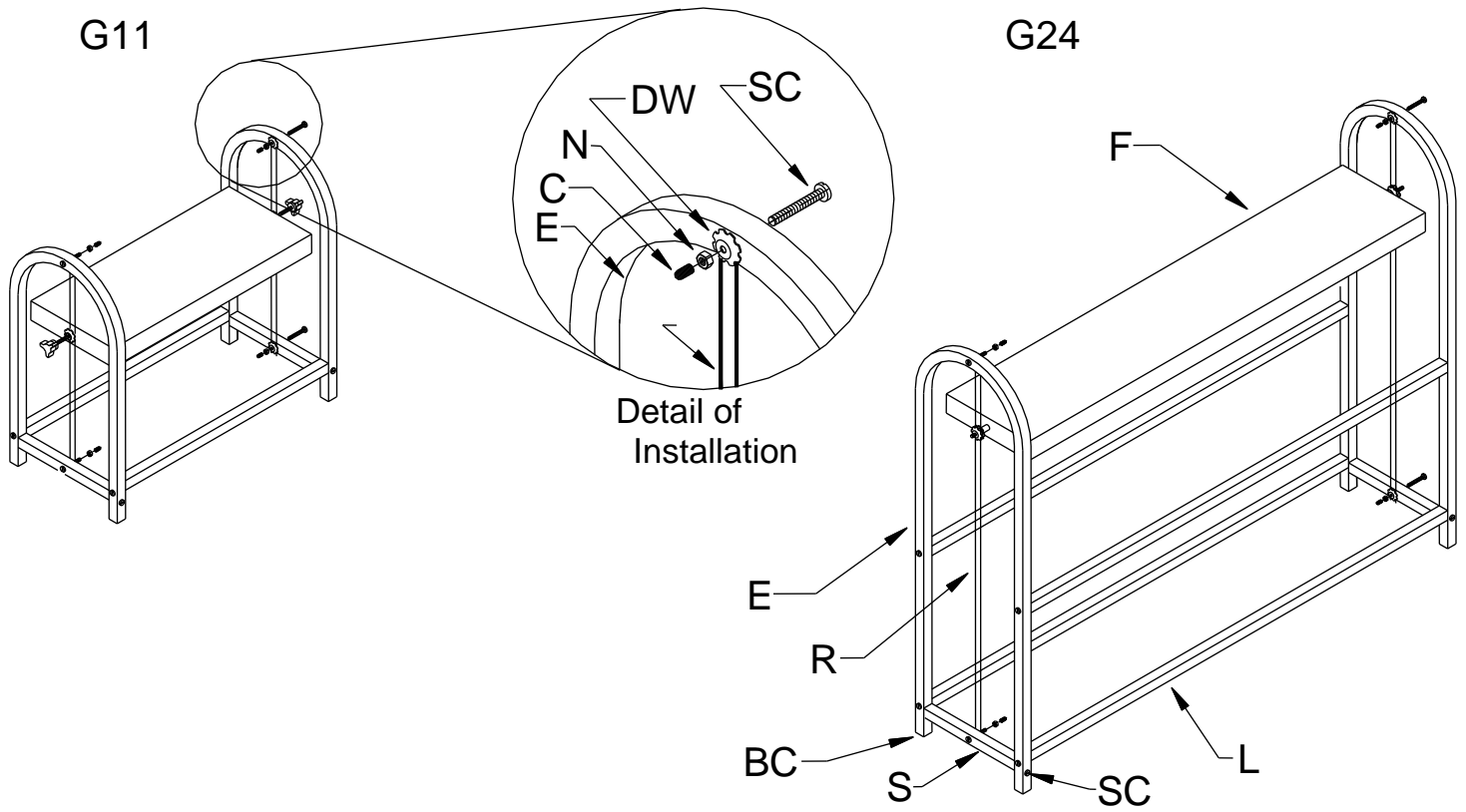
### ASSEMBLY INSTRUCTIONS

CODE	STAND PARTS	G11	G22	G24
<b>F</b>	Fixtures	1	2	2
<b>E</b>	End Frame	2	2	2
<b>P</b>	Plant Tray	1	2	4
<b>R</b>	Slide Rods	2	2	2
<b>S</b>	Short Piece with Hole	2	2	2
<b>L</b>	Shelf Support	2	4	4
<b>BAG KIT</b>				
<b>BC</b>	Black Caps	4	4	4
<b>SC</b>	Screw	12	16	16
<b>N</b>	Nut	4	4	4
<b>DW</b>	Domed Washer	4	4	4
<b>GC</b>	Ground Cord	1	1	1
<b>C</b>	Screw Cover	4	4	4



**G22A**

1. Assemble short pieces **S** between bottom of end frame **E** using the screws **SC**, keeping all holes facing the same direction (outside to inside--not up to down). Repeat this step on other end frame **E**.
2. Insert a screw **SC** in top hole of end frame **E** Hang the slide rods **R** over screw. Put a domed washer **DW** on screw with indented side towards the slide rod. Screw on the nut **N**,and tighten. Place a screw cover **C** on the end of the screw.
3. Place another screw **SC** through hole on the bottom piece and through the middle of the slide rod **R**.
4. Put a domed washer **DW** on the screw with indented side towards the slide rod,**R (You might need to pinch rods together under domed washer)** then screw on a nut **N**. Place a screw cover **C** on the end of the screw. Repeat steps 2-4 for other rod.
5. Place black caps in the bottom of the end frames **E**. Might need to use a rubber mallet.
6. Place a screw **SC** through the hole of the end frames **E** and then into the end of the shelf support **L** making sure the shelf support **L** is on the same side as the slide rods **R**, (this should be on the inside of the unit when finished) and tighten with screwdriver. Repeat this step for the rest of the shelf supports **L**.
7. Place plant trays **P** on the shelves.
8. Remove the tubes from the fixture(s) before installing.
9. On the G12, G24 only, place one domed washer **DW** on fixture stud with the indented side towards slide rod. NOTE Washers are already on fixtures.
10. Adjust the fixture(s) to desired height and tighten knobs **SECURELY**. (Important adjusting fixtures more than 6" per side at once may cause fixture to bend.)



CODE	PART
BC	Black Caps
C	Screw Cover
DW	Domed Washer
E	End Frame
L	Shelf Support
R	Slide Rod
S	Short Piece with Hole
SC	Screw

To Prevent Electrical Shock: Connect the eyelet of the enclosed ground cord to any bolt head. The other end should be connected to a ground point such as a water pipe or center screw of a grounded outlet. Please disconnect fixtures when watering plants.