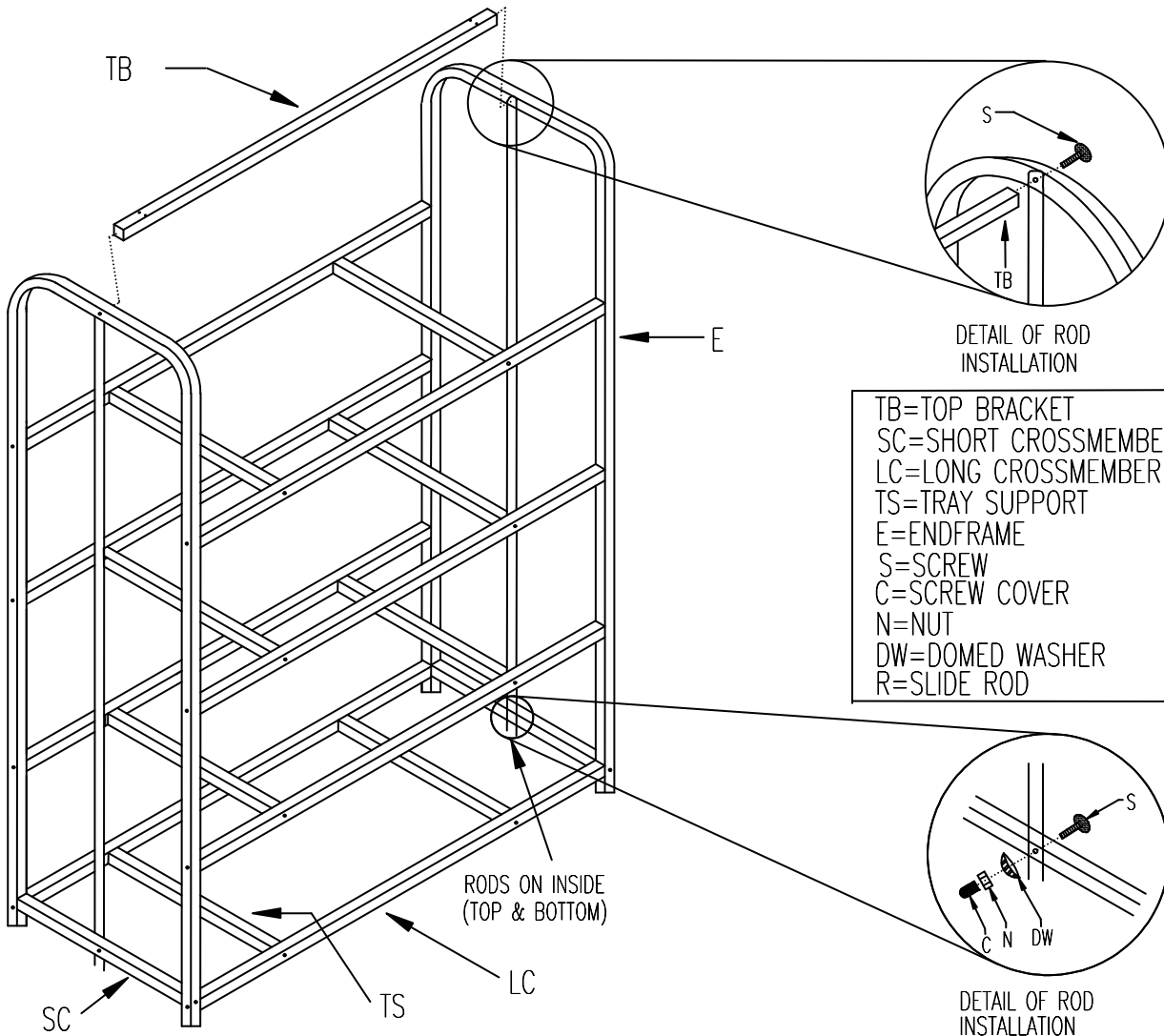


WONDER CART ASSEMBLY INSTRUCTIONS

CODE	PART	QUANTITY	
		B3	B4
-----	BAG KIT	-----	-----
YP	Yellow plugs for trays	3	4
GC	Ground cord	1	1
N	Nuts	2	2
C	Black screw cover	2	2
S	Screws	32	40
DW	Domed washer	2	2
WI	Plastic Wheel inserts	4	4

CODE	PART	QUANTITY	
		B3	B4
STAND PARTS			
SC	Short cross members,with holes	2	2
E	End frame	2	2
R	Slide rods	2	2
TB	Top Bracket	1	1
LC	Long cross members with holes/ 50 "	6	8
TS	Tray supports,Short parts,no holes	6	8
P	Plant trays	3	4
W	Wheel	4	4

1. Assemble the short cross members **SC** between the ends of the end frames **E**, using screws **S**. Make sure all the holes face in the same direction. Push the four plastic wheel inserts **WI** into the bottom of the end frames **E**.
2. Insert a screw **S** through the hole in the top of the end frame **E**. Hang the slide rod **R** over the screw. Thread the screw into the top bracket **TB**. The holes on the top bracket should be on the top. Repeat this step on other end frame **E**.
3. Place a screw **S** through the center hole in the short cross member **SC**, in the same direction as the one at the top of the end frame **E**, and between the ends of the slide rod **R**. Place a washer **DW** on the screw with the scalloped side toward the slide rod **R**. Screw on a nut **N**. Place a screw cover **C** on the end of the screw. Repeat this step on the other side.
4. Insert a screw **S** through a hole in the end frame **E** and thread it into a long cross member **LC**. (Make sure the slide rods **R** are on the inside of the end frame **E**, and that the holes of the long cross members **LC** are horizontal) Place a screw **S** through the matching hole on the other end frame **E** and thread it into the other end of the long cross member **LC**. Make sure the slide rods **R** are on the inside of the unit. Repeat this step for all remaining holes on the end frame **E**.
5. Assemble the tray supports **TS** to the holes in the long cross members **LC**, Place the plant trays on the shelves. Insert a yellow plug **YP**, to cap each hole.
6. Snap the stem of the wheels **W** into the plastic wheel inserts **WI**. Place the plant trays **P** on the shelves.
7. Enjoy your new plant stand, and **Grow, Grow, Grow!**



TB=TOP BRACKET
 SC=SHORT CROSSMEMBER
 LC=LONG CROSSMEMBER
 TS=TRAY SUPPORT
 E=ENDFRAME
 S=SCREW
 C=SCREW COVER
 N=NUT
 DW=DOMED WASHER
 R=SLIDE ROD

To Prevent Electrical Shock: Connect the eyelet of the enclosed ground cord to any bolt head. The other end should be connected to a ground point such as a water pipe or center screw of a grounded outlet. Please disconnect fixtures when watering plants.