

SUNLIGHTER STANDS

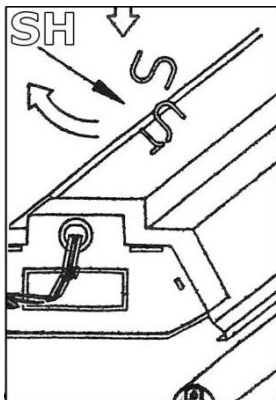
ASSEMBLY INSTRUCTIONS

CODE	STAND PARTS	SL22	SL44	SL48
TB	Top Bracket	1	1	1
E	End Frame	2	2	2
B	Brackets	4	8	8
T	Trays	2	4	8
LC	Long Crossmember	2	2	2
BAG KIT				
SS	Small Screw	8	16	16
S	Screw (Long)	6	6	6
BC	Black Caps	4	4	4
GC	Ground Cord	1	1	1
N	Small Nut	8	16	16



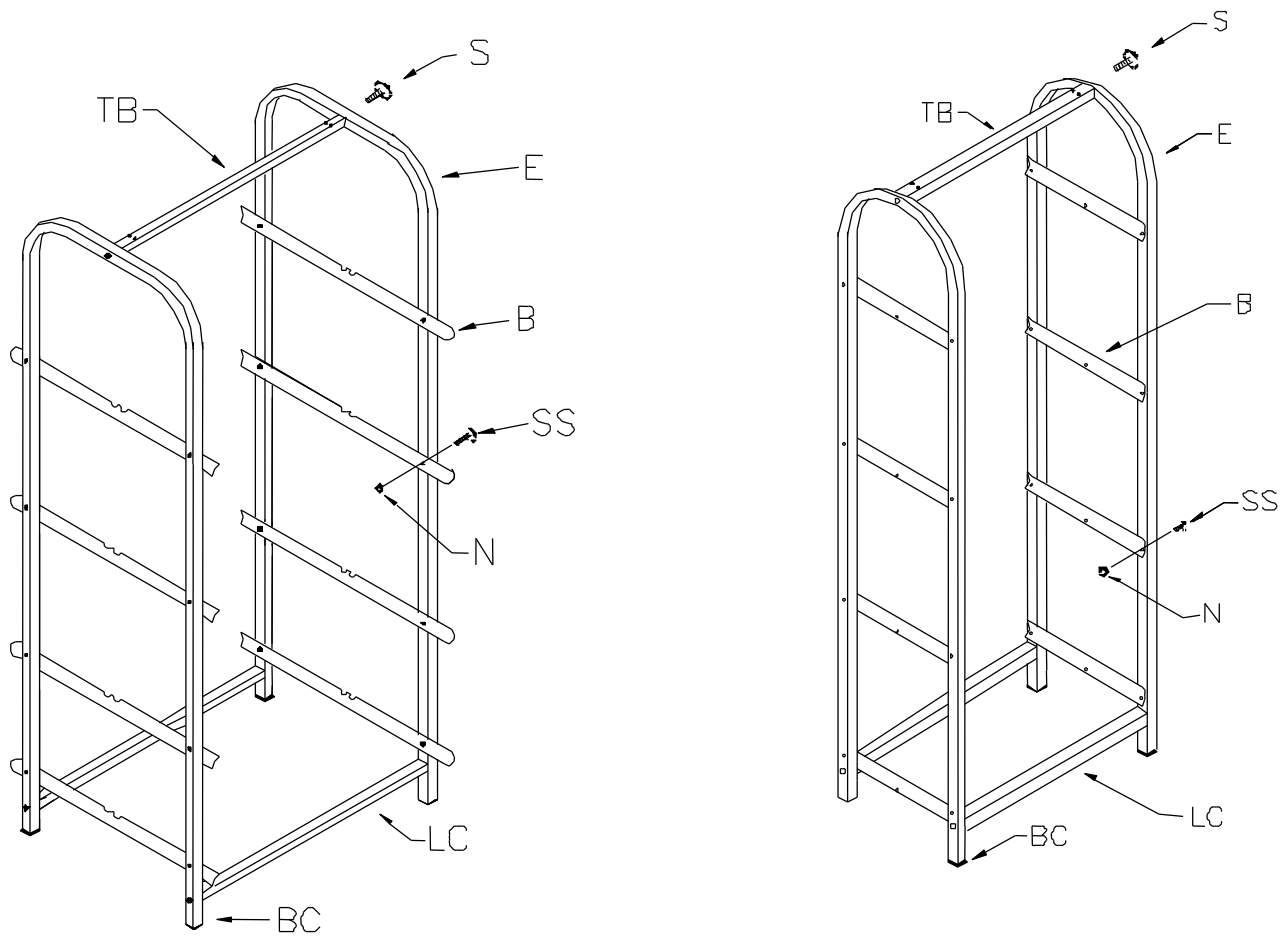
SL22

1. USING THE SMALL SCREWS **SS** AND NUTS **N** ASSEMBLE THE BRACKETS **B** (MAKING SURE THAT ALL THE NOTCHES ARE TO THE TOP OF THE STAND) TO THE END FRAMES **E**. DO NOT TIGHTEN THE NUTS. FOR BEST RESULTS START AT TOP OF ENDFRAME **E** AND WORK YOUR WAY DOWN.
2. REPEAT PROCEDURE IN STEP 1 ON OTHER ENDFRAME **E**.
3. USING THE LONG SCREWS **S** ASSEMBLE THE 2 LONG CROSSMEMBERS **LC** AND THE TOP BRACKET **TB** TO THE ENDFRAMES **E**. (BE SURE THE SMALL HOLES ARE FACING UP ON THE TOP BRACKET **TB**).
4. TIGHTEN ALL THE NUTS. PLACE THE TRAYS ON THE BRACKETS **B**, FIRMLY PUSH DOWN TO SECURE THE TRAYS **T** TO THE STAND.



HANGING THE FIXTURES

1. Unpack and install the lamps in all fixtures.
2. Place S-Hook on fixture as shown. Place S-Hook in the small hole in the bracket, attach the chain to the S-Hook at desired height.
3. To attach the fixture to the top bracket, place a S-Hook in one of the holes and attach the chain.



CODE	PART
LC	Long Cross Member
N	Small Nut
S	Long Screw
SS	Small Screw
BC	Black Cap
TB	Top Bracket
B	Bracket

To Prevent Electrical Shock: Connect the eyelet of the enclosed ground cord to any bolt head. The other end should be connected to a ground point such as a water pipe or center screw of a grounded outlet. Please disconnect fixtures when watering plants.